

Lab Scale Crossflow Filtration System



The system has been designed to facilitate the production of small batches (between 5 and 50 litres of feedstock) and for lab trials to optimise filtration parameters for scale-up.

Incorporating 3 x filter housings, it is possible to filter through any or all of the Star-Sep ceramic filters on the system. The system can be supplied with an air operated (AODD) pump or alternatively with a variable speed centrifugal pump.

The Star-Sep ceramic membranes are available in various pore sizes from 0.2 microns to 1.2 microns.

Lab Scale Crossflow Filtration System

Incorporating 3 x Filter Housings to suit Star-Sep Ceramic Membranes As Follows:

- 1 x 7 Channel 600mm Star-Sep Ceramic Filter (Filtration Area 0.06 m²)
- 1 x 19 Channel 600mm Star-Sep Ceramic Filter (Filtration Area 0.17 m²)
- 1 x 19 Channel 1200mm Star-Sep Ceramic Filter (Filtration Area 0.33 m²)

C/W Integral Feed Tank – Capacity 5 to 50 Litres

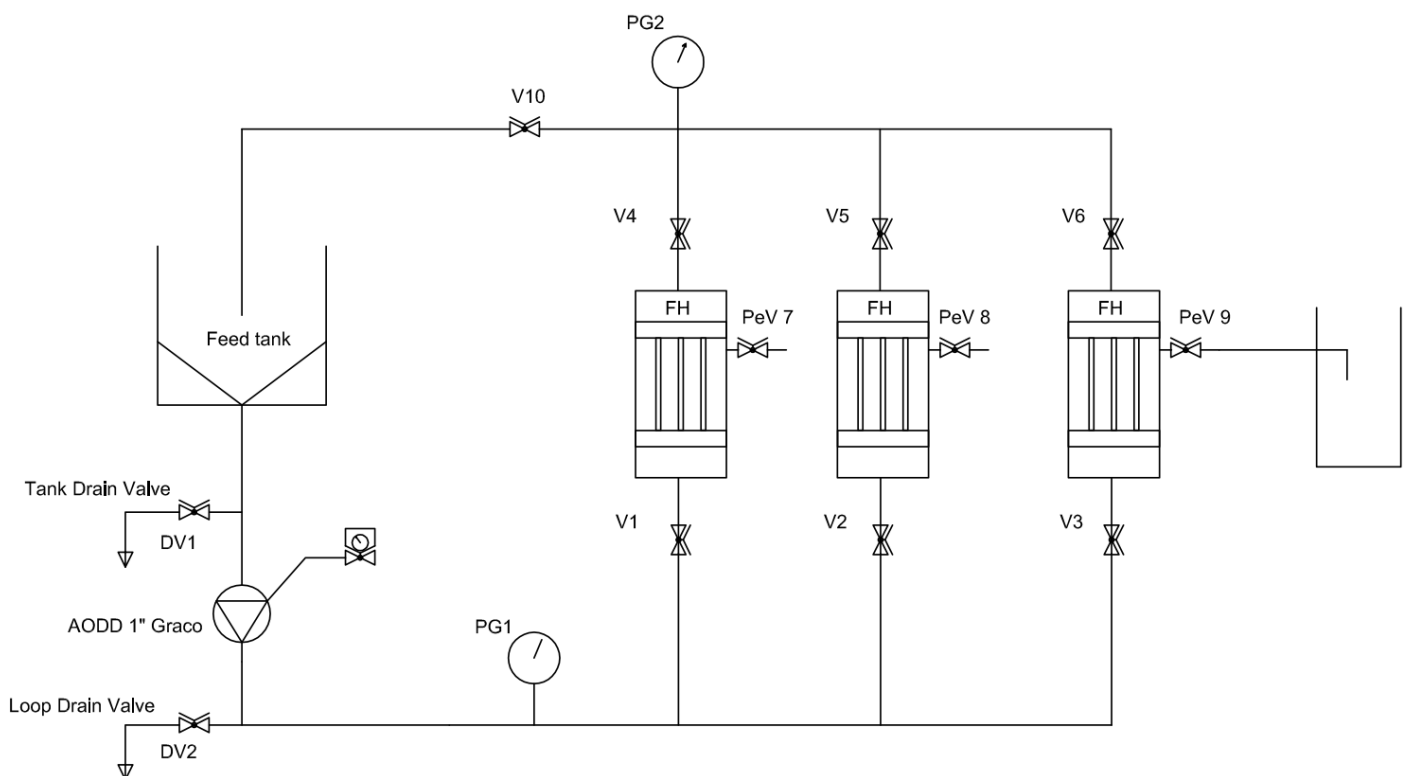
With option to connect to external tank with flexible hose

Materials: 316ss pipework, housings and frame

Feed Tank: 316ss

Pump: AODD type or Centrifugal (optional)

In Accordance With P&ID and GA Drawing enclosed



Lab Scale Crossflow Filtration System

